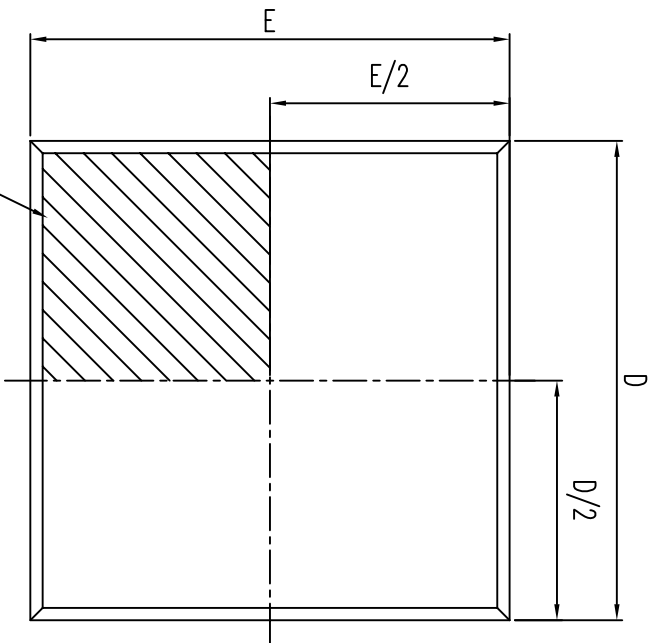
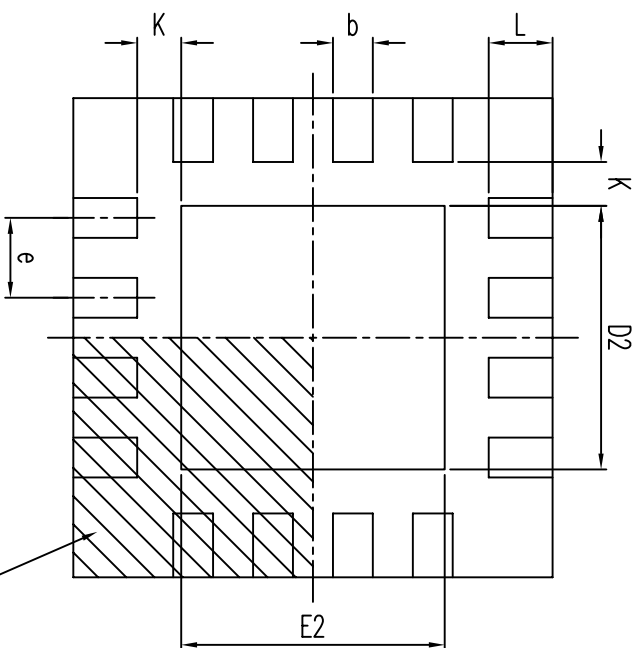


REV.	DESCRIPTION	BY	DATE
ORG.	DRAWING ISSUE	SANDY CHEN	05.27.2013

TOP VIEW



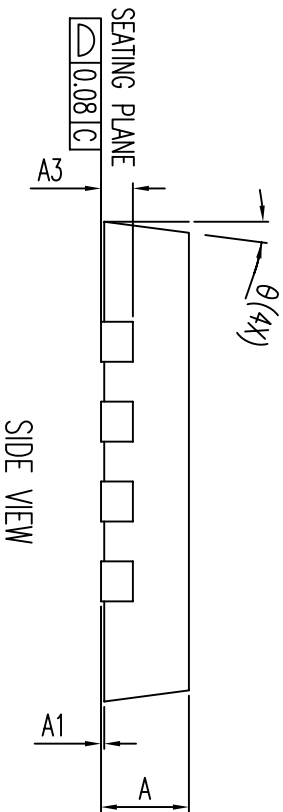
BOTTOM VIEW



SYMBOL	DIMENSION IN MM		
	MIN.	NOM.	MAX.
A	0.50	0.55	0.60
A1	0	0.02	0.05
A3	0.20 REF.		
D	3.00 BASIC		
D2	1.50	1.65	1.80
E	3.00 BASIC		
E2	1.50	1.65	1.80
e	0.50 BASIC		
b	0.18	0.25	0.30
L	0.35	0.40	0.45
K	0.20		
θ	0°		14°
JEDEC MO-220 (Variation VEED-4)			

TERMINAL #1
INDEX AREA
(D/2 X E/2)

TERMINAL #1
INDEX AREA
(D/2 X E/2)



		Chant World Technology Inc.	
TITLE UGFN 16L PACKAGE OUTLINE BODY SIZE : 3 X 3 X 0.55 MM		XXXXXX ±0.005 XXXXXX ±0.035 XXXXXX ±0.05 XXXXXX ±0.2 XX.XX SCALE 30 : 1	
DESIGNED	SANDY CHEN 05.27.2013	UNIT	QTY
CHECKED	SANDY CHEN 05.27.2013	FILE NAME	UGFN16L(3x3x0.55) A3
APPROVED	SANDY CHEN 05.27.2013	DWG. NO.:	CW-PY-002A